

# Eurovac

*Eurovac has a full range of products for every need and budget*



## High Performance Central Dust Collection Systems



- Superior filtration: We have a wide range of filter options to meet your application requirements including shakers and compressed air pulse cleaning. We provide a wide range of filter materials including 80:20 cellulose, polyester, teflon coated, nano and HEPA.
- High Performance: Backward Inclined Fans are designed with radial impellers with backward curved blades. Fans are constructed of powder coated welded sheet iron. They have aluminium impellers which are mounted directly on the motor shaft. The fan inlet has duct connection collar.
- Engineered Systems: Eurovac has a large experienced engineering staff to provide dust and fume collectors and piping systems to meet your individual application. We are capable of designing systems to meet NFPA, OSHA and ATEX codes including explosion relief requirements.
- Turnkey systems available.

## EUROVAC “RCC” CENTRAL COLLECTORS

- Modular system provides a very wide range of configurations and sizes ranging from 4 cartridge (2500 CFM) to 100, 000 CFM multi-cartridge systems.
- Hopper entry where dust is directed downward into the hopper below the bank of cartridge filters. Baffle removes a large portion of the dust before it reaches the final cartridge filters.
- Includes compressed air pulse jet cleaning and a wide range of collection options (canisters, totes, and dumpsters).



Eurovac “RCC” Rectangular Cartridge Collectors are built with a modular design and range in size from 1000 to 100,000 CFM systems.

## EUROVAC “CFS” CENTRAL COLLECTORS

- Round cyclonic design along with bag and cartridge filter options make it ideal for a wide range of applications and collection options (canisters, totes, and dumpsters).
- Round, cyclonic design improves filtration by removing 90% of the dust before it reaches the final filters. Also this design offers more structural integrity than rectangular separators making it ideal for high KST (explosive) materials
- Includes compressed air pulse jet cleaning



Eurovac “CFS” Cyclonic Filter Separators are used in a wide range of applications and provide the benefit of initial cyclonic separation.



## SPIRAL DUCTING & SLIDE GATES

Eurovac has a all your duct, fittings and accessory requirements in stock.

## EUROVAC “ABF” CENTRAL COLLECTORS

- Primarily used in small woodworking and composite manufacturing operations.
- Systems consist of primary pre-separator cyclonic separation and bag after filters. The primary pre-separator removes up to 90% of the dust before reaching the secondary cartridge filters.
- Sizes range from 12” diameter cyclones (300 CFM) to 36” diameter systems (4000 CFM)
- Designed to be located inside the building. 18” and smaller diameter cyclones are exempt from NFPA 654 because their area is less than 8 cubic feet.



Eurovac “ABF” After Bag Filtration systems are great for smaller applications which require less CFM or require lower CFM for code requirements.

## EUROVAC “MDC” CENTRAL COLLECTORS

- Designed for welding, grinding and fume arm applications
- Available in 2 filter (520 square feet) and 4 filter (1040 square feet) modules

Includes:

- 80/20 cellulose/polyester cartridge filters
- Automatic compressed air pulse jet cleaning
- Internal spark arrestor
- Optional HEPA filter or carbon filter



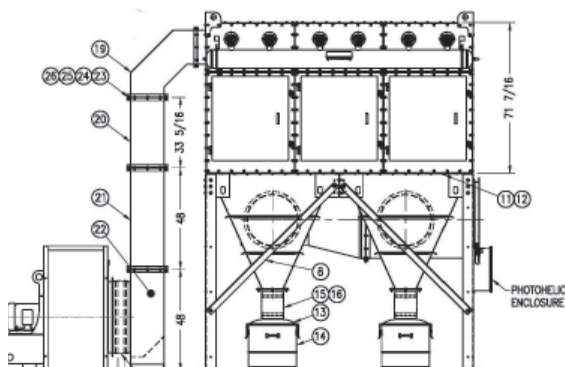
Eurovac “MDC” Modular Dust Collector systems are typically used in a welding, grinding and fume arm applications. They also fit in tight spaces.

# EUROVAC

## SEPARATOR OPTIONS:

|   |   |  |   |
|---|---|--|---|
|    |    |    |    |
| Spark Arrestor  | Explosion Relief Membrane   | Rotary Airlock   | Hepa Filtration   |
|    |    |    |    |
| Controls & PLC Options  | Knife gate shut off valves  | Bag in Bag Out   | Bin Level Indicator   |
|   |   |   |   |
| Blow Back Dampers   | Diff. Pressure gauges   | Spark Detection Systems  | Flame Quenchers   |
|  |  |  |  |
| Platform & Ladder   | Silencers   | Sprinkler Ports  | Collection Canisters  |

## PROPERLY ENGINEERED SYSTEMS:



NORTH AMERICAN DISTRIBUTOR:

## APPLICATIONS:

- Weld Dust/Fume Extraction
- CNC Plasma/Laser Cutting Tables
- Composite
- Wood working
- Pharmaceutical
- Blast rooms
- Robotic Weld Cells
- Foundry

**C.T.& ASSOCIATES LLC**

PHONE: 248-496-7375

EMAIL: [ctassocaites@msn.com](mailto:ctassocaites@msn.com)





DC-400

2 TON CAP.

5 TONNE CAP.



EUROVAC

Hypertherm



EUROVAC

Hypertherm

EXIT

H  
MACO



EUROVAC

EUROVAC

76 10 91 10 030  
Hypertherm  
HyPerformance Plasma

Hypertherm

Hypertherm  
HyPerformance Plasma  
HPR130



EUROVAC

Hypertherm

EXIT









EUROVAC





NO SMOKING

EL ROSAC

VR510 Mach One S

07/13/2009

UNIST



EUROVAC

FEATHERLITE





ROVAC

ROVAC

EU

ROVAC

ROVAC

ROVAC  
ROVAC  
ROVAC



EUROVAC

DANGER

DANGER

DANGER